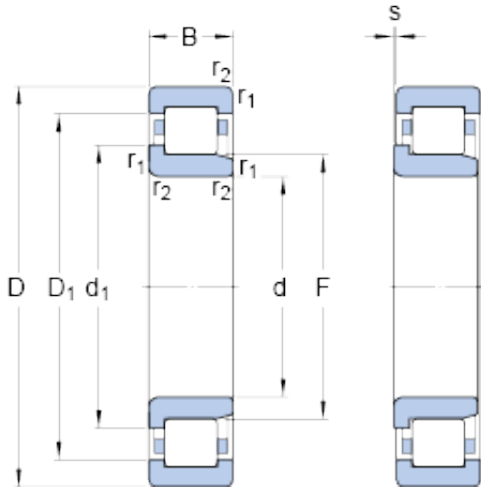




LLC NTN-SNR BEARINGS RUS



460 mm x 620 mm x 95 mm SKF NJ 2992 ECMA thrust ball bearings

Bearing No. NJ 2992 ECMA

Size	620x460x95 mm
Bore Diameter	620 mm
Outer Diameter	460 mm
Width	95 mm
d	460 mm
D	620 mm
B	95 mm
d ₁	508 mm
D ₁	566 mm
F	495 mm
r _{1,2} - min.	4 mm
s	4 mm
d _a - min.	475 mm
d _a - max.	490 mm
d _b - min.	515 mm
D _a - max.	605 mm
r _a - max.	3 mm
Basic dynamic load rating - C	1720 kN
Basic static load rating - C ₀	3600 kN
Fatigue load limit - P _u	310 kN
Reference speed	1000 r/min
Limiting speed	1300 r/min
Calculation factor - k _r	0.07
d ₁	508 mm

NJ 2992 ECMA Bearing 2D drawings and 3D CAD models



LLC NTN-SNR BEARINGS RUS

D_1	566 mm
$r_{1,2}$ min.	4 mm
s max.	4 mm
d_a min.	475 mm
d_a max.	490 mm
d_b min.	515 mm
D_a max.	605 mm
r_a max.	3 mm
Basic dynamic load rating C	1720 kN
Basic static load rating C_0	3600 kN
Fatigue load limit P_u	310 kN
Calculation factor k_r	0.07
Limiting value e	0.3
Axial load factor Y	0.4
Mass bearing	89 kg