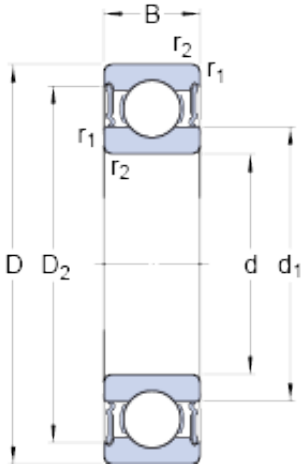




LLC NTN-SNR BEARINGS RUS



55 mm x 72 mm x 9 mm SKF 61811-2RS1 deep groove ball bearings

Bearing No. 61811-2RS1

61811-2RS1 Bearing 2D drawings and 3D CAD models

Size	72x55x9 mm
Bore Diameter	72 mm
Outer Diameter	55 mm
Width	9 mm
d	55 mm
D	72 mm
B	9 mm
d ₁	60.6 mm
D ₂	68.6 mm
r _{1,2} - min.	0.3 mm
d _a - min.	57 mm
d _a - max.	60.5 mm
D _a - max.	70 mm
r _a - max.	0.3 mm
Basic dynamic load rating - C	9 kN
Basic static load rating - C ₀	8.8 kN
Fatigue load limit - P _u	0.375 kN
Limiting speed	5300 r/min
Calculation factor - k _r	0.015
Calculation factor - f ₀	17
Category	Single Row Ball Bearings
Inventory	0.0
Manufacturer Name	SKF
Minimum Buy Quantity	N/A



LLC NTN-SNR BEARINGS RUS

Weight / Kilogram	0.091
EAN	7316577611598
Product Group	B00308
Enclosure	2 Seals
Precision Class	ABEC 1 ISO P0
Maximum Capacity / Filling Slot	No
Rolling Element	Ball Bearing
Snap Ring	No
Internal Special Features	No
Cage Material	Steel
Enclosure Type	Contact Seal
Internal Clearance	C0-Medium
Inch - Metric	Metric
Long Description	55MM Bore; 72MM Outside Diameter; 9MM Outer Race Diameter; 2 Seals; Ball Bearing; ABEC 1 ISO P0; No Filling Slot; No Snap Ring; No Internal Special Features
Category	Single Row Ball Bearing
UNSPSC	31171504
Harmonized Tariff Code	8482.10.50.68
Noun	Bearing
Keyword String	Ball
Manufacturer URL	http://www.skf.com
Manufacturer Item Number	61811 2RS1
Weight / LBS	0.2
Outside Diameter	2.835 Inch 72 Millimeter
Bore	2.165 Inch 55 Millimeter
Outer Race Width	0.354 Inch 9 Millimeter
bore diameter:	55 mm
static load capacity:	8.8 kN



LLC NTN-SNR BEARINGS RUS

outside diameter:	72 mm
precision rating:	Not Rated
overall width:	9 mm
finish/coating:	Uncoated
bore type:	Round
cage material:	Steel
closure type:	Double Sealed
outer ring width:	9 mm
row type & fill slot:	Single Row Non-Fill Slot
fillet radius:	0.3 mm
internal clearance:	C0
maximum rpm:	5300 RPM
operating temperature range:	-40 to +210 ° F
series:	61
dynamic load capacity:	9.04 kN
d_1	60.3 mm
D_2	68.68 mm
$r_{1,2}$ min.	0.3 mm
d_a min.	57 mm
d_a max.	60.5 mm
D_a max.	70 mm
r_a max.	0.3 mm
Basic dynamic load rating C	9.04 kN
Basic static load rating C_0	8.8 kN
Fatigue load limit P_u	0.375 kN
Calculation factor k_r	0.015
Calculation factor f_0	17
Mass bearing	0.083 kg