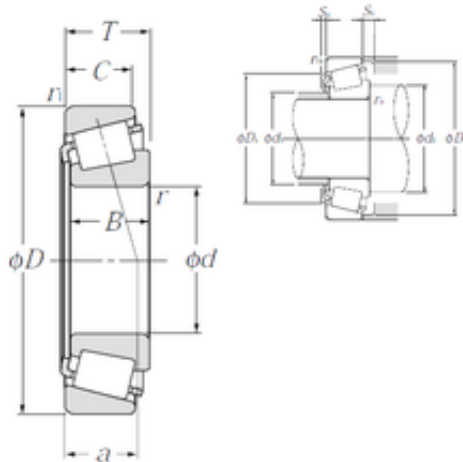




LLC NTN-SNR BEARINGS RUS

30 mm x 55 mm x 20 mm NTN 4T-33006 tapered roller bearings



Bearing No. 4T-33006

Size	30x55x20 mm
Bore Diameter	30 mm
Outer Diameter	55 mm
Width	20 mm
d	30 mm
D	55 mm
T	20 mm
B	20 mm
C	16 mm
ra1 max.	1 mm
a	13 mm
r min.	1 mm
r1 min.	1 mm
da min.	35,5 mm
Da min	46,5 mm
Da max.	49,5 mm
db max.	35,5 mm
Db min.	52 mm
ra max.	1 mm
Sa	3 mm
Sb	4 mm
Weight	0,201 Kg
Basic dynamic load rating (C)	42,5 kN
Basic static load rating (C0)	54 kN
(Grease) Lubrication Speed	6 900 r/min

4T-33006 Bearing 2D drawings and 3D CAD models



LLC NTN-SNR BEARINGS RUS

(Oil) Lubrication Speed	9 200 r/min
Calculation factor (e)	0,29
Calculation factor (Y0)	1,13
rs min	1 mm
r1s min	1 mm
e	0.29
Y2	2.06
Y0	1.13
Mass	0.2 kg
ISO 355 reference	T2CE030
Dynamic load, C	42.5 kN
Rating life coefficient, A2	1.4
Static load, C0	54 kN
Fatigue limit load, Cu	6.6 kN
Nlim (oil)	9,200 rpm
Nlim (grease)	6,900 rpm
Min operating temperature, Tmin	-40 ° C
Max operating temperature, Tmax	120 ° C
da max	35.5 mm
db min	35.5 mm
Da max	49.5 mm
Db min	52 mm
ra max	1 mm
r1a max	1 mm